








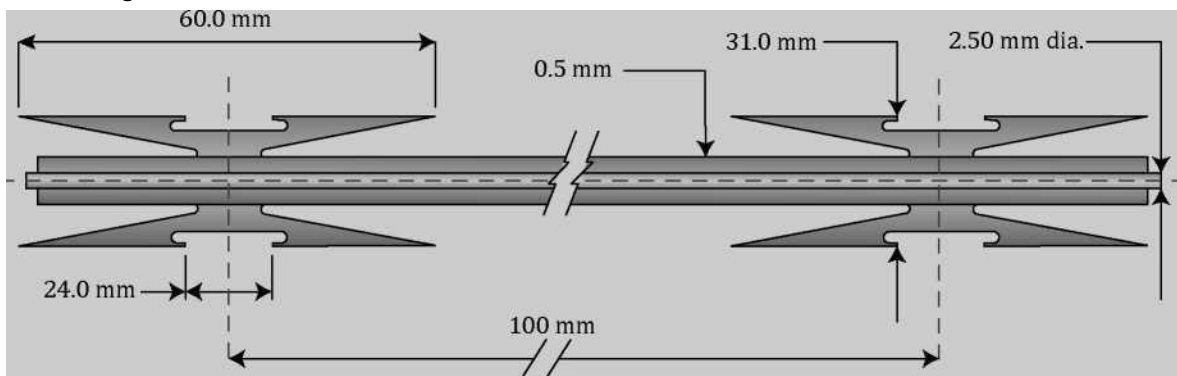


Razor Blade Type and Specification						
Reference Number	Blade Style	Thickness (mm)	Wire Dia. (mm)	Barb Length (mm)	Barb Width (mm)	Barb Spacing (mm)
BTO-12		0.5 ± 0.05	2.5 ± 0.1	12 ± 1	15 ± 1	26 ± 1
BTO-15		0.5 ± 0.05	2.5 ± 0.1	15 ± 1	15 ± 1	33 ± 1
BTO-22		0.5 ± 0.05	2.5 ± 0.1	22 ± 1	15 ± 1	34 ± 1
BTO-30		0.5 ± 0.05	2.5 ± 0.1	30 ± 1	18 ± 1	45 ± 1
CBT-25		0.5 ± 0.05	2.5 ± 0.1	25 ± 1	16 ± 1	40 ± 1
CBT-60		0.6 ± 0.05	2.5 ± 0.1	60 ± 2	32 ± 1	100 ± 2
CBT-65		0.6 ± 0.05	2.5 ± 0.1	65 ± 2	21 ± 1	100 ± 2

Long Blade Razor Wire

CBT - 60 Fish Hook Blade

Fish-hook blade is the metal in the middle that has gone through the most gyrations. All hooks have an eye to tie your line to, a sharp tip to pierce the fish's mouth and a barb to hold it in place. Although there are a wide variety of innovations in point design, it's the shank & the bend that have changed the most.



Blade <u>Type</u>	Barb Thickness	Barb Length	Barb Width	Barb Spacing	Core Wire Diameter
CBT-60	0.5 ± 0.05	60.0 ± 2	31 ± 1	100 ± 2	2.5 ± 0.1

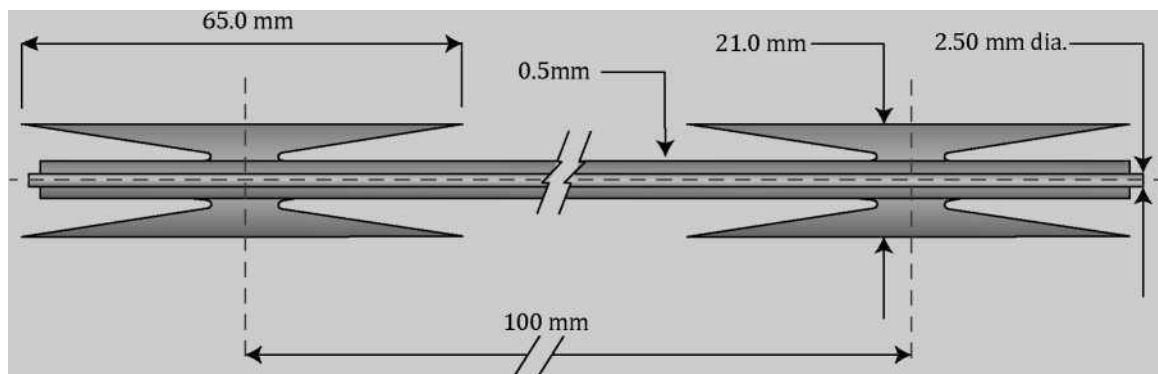


CBT-65 Long Blade

Razor wire long blade is a vicious product when manufactured of toughened stainless steel blade material. It is usually used for prison fencing. Extra long blade razors provide maximum frightening effect.

CBT-65

- Material 1. Galvanized Zinc (hot dipped (50-80 g),
 - Material 2. electric galvanized(10-30g)
 - Material 3. high zinc coating 100-270g),
 - Material 4. zinc aluminum alloy wire (270g -380g)
 - Material 5. Stainless steel 430,304, 316L (Marine Grade)
 - Material 5 .PVC coating , (many colors is available)
- Good tensile strength (at least 450 N)



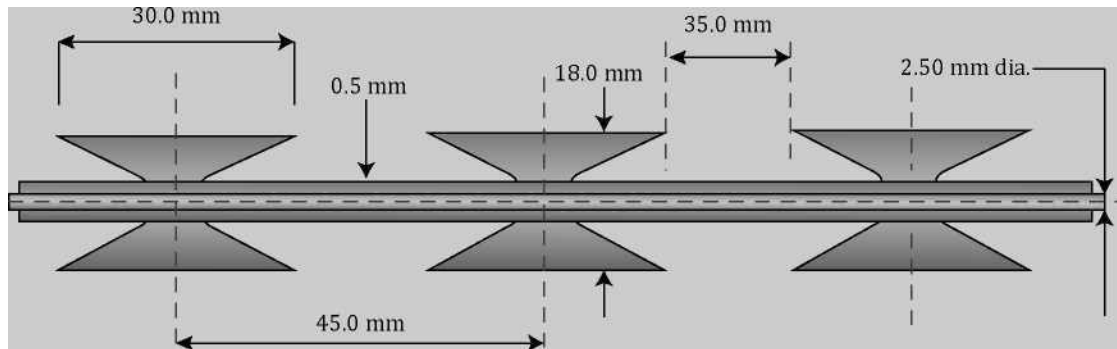
Outer Diameter	Loops	Extended Length	Blade Type	Note
300 mm	33	4-6 m	CBT- 60, 65	Single coil
450 mm	33	7-8 m	CBT- 60, 65	Single coil
500 mm	56	12-13 m	CBT- 60, 65	Single coil
700 mm	56	13-14 m	CBT- 60, 65	Single coil
960 mm	56	14-15 m	CBT- 60, 65	Single coil



Short Blade Razor Wire

BTO-30 Tear Blade

Tear blade is an hybrid of medium blade and long blade, more vicious than a medium blade and more economical than long blade.



Blade Type	Barb Thickness	Barb Length	Barb Width	Barb Spacing	Core Wire Diameter
BTO-30	0.5 ± 0.05	30.0 ± 1	18 ± 1	45 ± 2	2.5 ± 0.1

BTO-22 Medium blade

Concertina wire medium blade is an improvement on the short blade variety at a cost-effective price level. It is widely used for commercial and industrial applications.

Medium blade concertina wire had a much sharper edge and quickly gained the reputation of being an extremely effective low cost security choice.



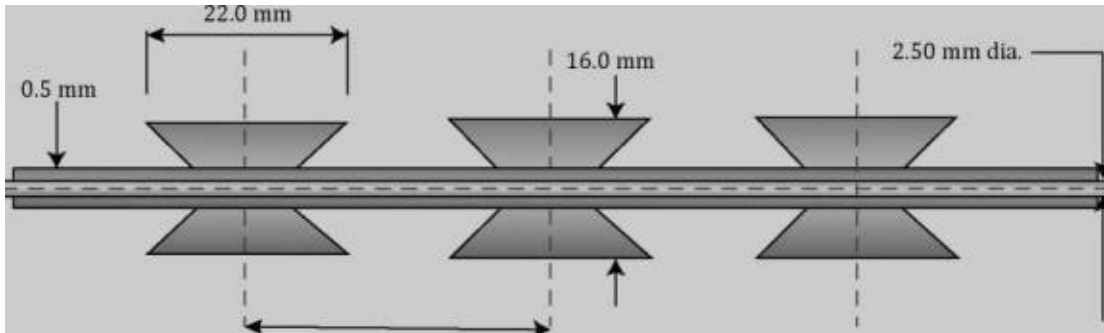
Shijiazhuang Heshuo Metal Products Company Ltd.

Razor Wire Coils Solution - Tough and durable structure, visual and functional deterrent for intruders

TEL : 86-311-85341235

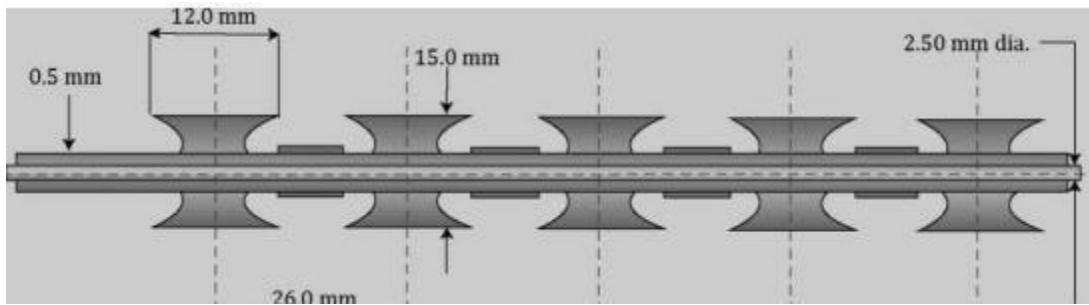
WHATSAPP :13633310759

EMAIL: fence6@chain-link-mesh.com

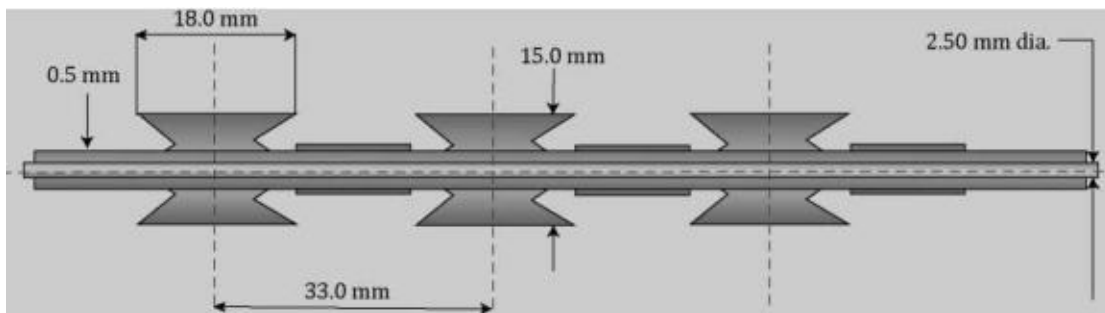


Blade Type	Blade Thickness	Blade Length	Blade Width	Blade Spacing	Core Wire Diameter
BTO-22	0.5 ± 0.05	22.0 ± 1	16 ± 1	35 ± 2	2.5 ± 0.1

BTO-12



BTO-18



Blade Thickness	Blade Length	Blade Width	Blade Spacing	Core Wire Diameter
0.5 ± 0.05	12.0 ± 1	15 ± 1	26 ± 1	2.5 ± 0.1



Shijiazhuang Heshuo Metal Products Company Ltd.

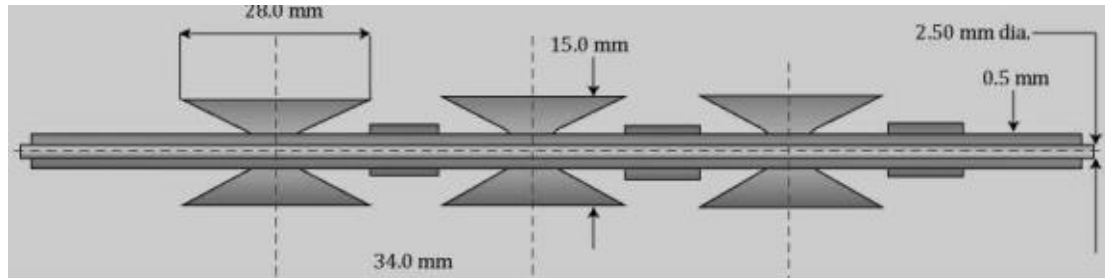
Razor Wire Coils Solution - Tough and durable structure, visual and functional deter for intruders

TEL : 86-311-85341235

WHATSAPP :13633310759

EMAIL: fence6@chain-link-mesh.com

BTO-28



Barb Thickness	Barb Length	Barb Width	Barb Spacing	Core Wire Diameter
0.5 ± 0.05	18.0 ± 1	15 ± 1	33 ± 1	2.5 ± 0.1

Outside diameter	Loops	Length	Razor type	Coil type
450mm	56	8M-9M (3clips)	BTO-10, 12, 18, 22, 28, 30	Cross Type
500mm	56	9M-10M (3clips)	BTO-10, 12, 18, 22, 28, 30	Cross Type
600mm	56	10M-11M (3clips)	BTO-10, 12, 18, 22, 28, 30	Cross Type
600mm	56	8M-10M (5clips)	BTO-10, 12, 18, 22, 28, 30	Cross Type
700mm	56	10M-12M (5clips)	BTO-10, 12, 18, 22, 28, 30	Cross Type
800mm	56	11M-13M (5clips)	BTO-10, 12, 18, 22, 28, 30	Cross Type
900mm	56	12M-14M (5clips)	BTO-10, 12, 18, 22, 28, 30	Cross Type
960mm	56	13M-15M (5clips)	BTO-10, 12, 18, 22, 28, 30	Cross Type
980mm	56	14M-16M (5clips)	BTO-10, 12, 18, 22, 28, 30	Cross Type



Shijiazhuang Heshuo Metal Products Company Ltd.

Razor Wire Coils Solution - Tough and durable structure, visual and functional deter for intruders

TEL : 86-311-85341235

WHATSAPP :13633310759

EMAIL: fence6@chain-link-mesh.com



TEL: +86-311-85341235

Mail: fence6@chain-link-mesh.com

Add: No1.Industrial First Street West Zone Of Industrial Park Shenze County